



ThinkTank HLAdapter

Instructions for assembly and handling

Please read this document carefully!

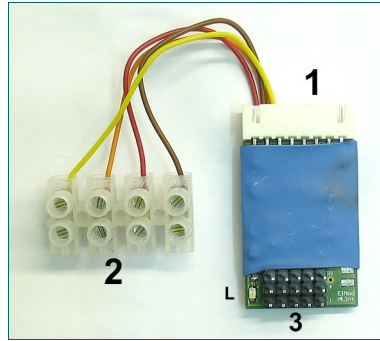
This manual is an addendum to the manual of the ThinkTank Tank Module. It contains only the installation steps that are necessary to install the ThinkTank HLAdapter. Please read the ThinkTank Tank Module manual for the missing parts.

Functional range

The HLAdapter is an interface to connect the original HengLong electronics to the EIMod ThinkTank Tank Module.

Overview of connectors

- 1 HengLong Turret connector
- 2 Motor signal cables
- 3 Outputs for channels 1 to 4 and BEC
- L green Power-LED



Assembly

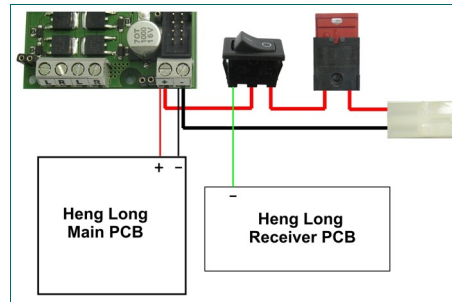
Faulty wiring may cause permanent damage to the electronics or even fire! If anything is unclear, please look at our FAQ or write us an email!

Power supply

For proper function the HengLong electronics and the Tank Module have to be attached to the main battery. The correct wiring is pictured on the right image. The use of the fuse and the power switch is obligatory and cannot be omitted. Fire hazard when disregarded!

The main switch wiring is as follows:

- left terminal (the side which is marked '1' on the switch): fuse (which is connected to the plus of the battery)
- middle terminal leads is plus for the Tank Module and the big HengLong PCB
- right terminal (the side which is marked '0' on the switch): minus from the small HengLong receiver PCB



Motor signals and turret connector

Cut the four cables leading to the chain motors and wire them as follows:

- connect the brown and red wires of the HLAdapter with the wires which were bounded to the right chain motor.
- connect the orange and yellow wires correspondingly to the wires which belonged to the left chain motor.

In case one or both motors will run in the wrong direction, just swap the according two wires on the insulating screw joints (brown with red or orange with yellow).

Connect the 8-wire turret plug to connector 1 on the HLAdapter.

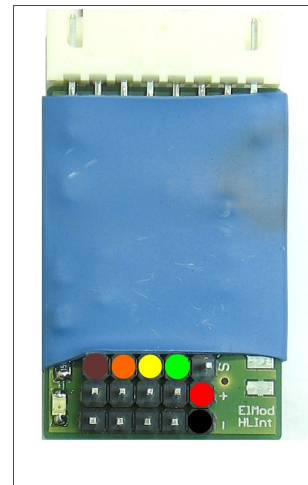
Connection to the ThinkTank Tank Module

Connect the channel 1 to 4 and the BEC wires of the Tank Module as pictured. Consider the correct order and orientation.

The further assembly steps concern the installation of the ThinkTank Tank Module.

First run

- Make sure that all connections are well fixed and that no conductive parts can touch each other.
- Switch on the remote control and the tank exactly in this order.
- The green power-LED is on.
- Push the ignition button on the HengLong radio and wait about 10 seconds.
- Move the left or right stick a little and watch the power-LED. It blinks once every time the sticks are moved out of their neutral position. The electronics is operable now.



Turret functions

The control of the light group and the tower unit is carried out as follows (left stick):

→ Rotate turret right	↖ Engine on/off (requires a ThinkTank Blaster module)
← Rotate turret left	↗ Main gun shot
↑ Lift cannon	↙ Main light
↓ Lift cannon in opposite direction	↘ Auxiliary light
	G MG

Please visit our website and take a look on the FAQ for in-depth information

Nicht geeignet für Kinder unter 14 Jahren.

Not suitable for Children under 14 years.

Ne convient pas pour des enfants de moins de 14 ans.

Niet geschikt voor kinderen onder de 14 jaar.

EIMod Dipl.-Inf.(FH) Thomas Kusch und Jürgen K. Huber GbR

Millotstraße 15/1

D-72622 Nürtingen



EIMod Dipl.-Inf.(FH) Th. Kusch & Jürgen K. Huber GbR

info@el-mod.de

http://www.el-mod.de

